

No. E2GA-3025

ISSUED: Jun. 04, 2007

REVISED: Apr. 22, 2011

SERVICE INFORMATION:



**HOSHIZAKI
FLAKE ICE MAKER**

MODEL FM-170AFE

PARTS LIST

G-1 Jun. 2007

AUXILIARY CODE

U - 1

The auxiliary code is the first two characters in the serial number. The first character indicates the production year. Years progress or regress in alphabetical order. The series of letters and skipped letters depend on UL listing, production, and model. See the auxiliary code(s) and corresponding year(s) on the front cover.

The second character indicates significant part changes within the same year. Base is "1" and this number advances for each change. If there is no significant part change at the turn of the year, this number starts from "0."

MARKS LOCATED UNDER THE AUXILIARY CODE

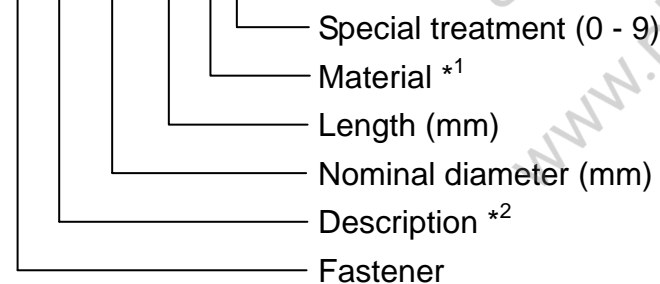
- = Part deleted.
- x = Part deleted and replaced by "o" part.
- o = New part in place of "x" part.

FASTENER PART NUMBER

SCREWS



F S T 0 3 0 6 F 0

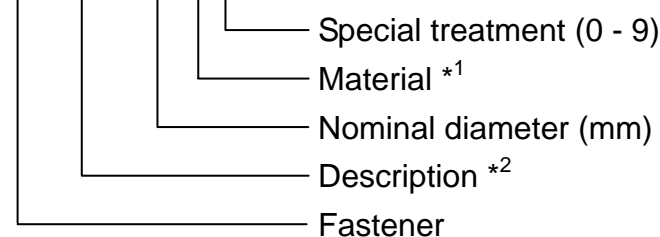


*¹ Material

- F: Steel
- S: Austenitic stainless steel
- M: Martensitic stainless steel
- B: Copper alloy
- P: Polycarbonate
- N: Polyamide
- V: PVC
- A: ABS
- X: Polyacetal
- L: Aluminum

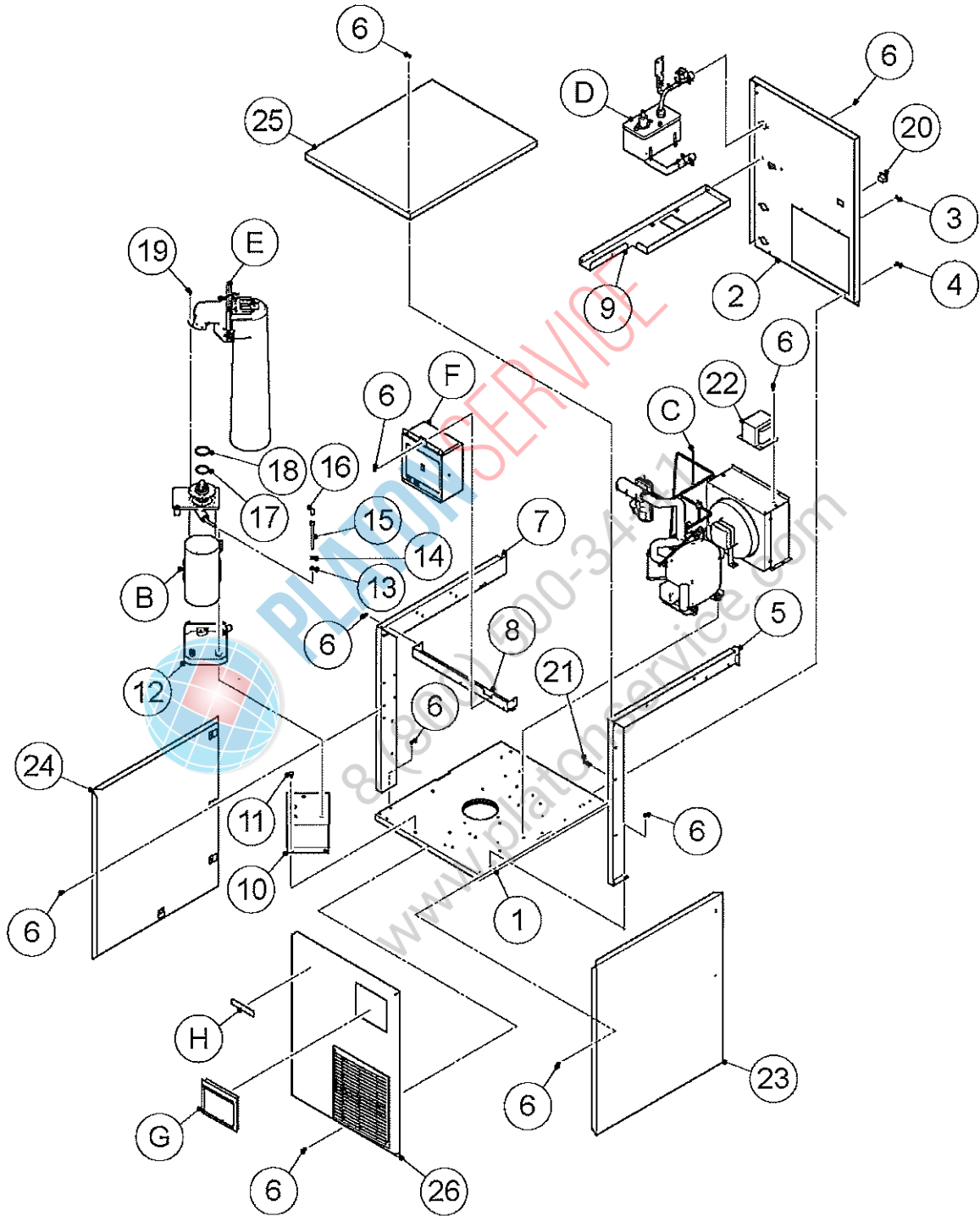
NUTS & WASHERS

F W S P 0 5 S 0



*² Description

- First letter
- S: Machine screw
- T: Tapping screw
- M: Wood screw
- B: Bolt
- W: Washer
- N: Nut

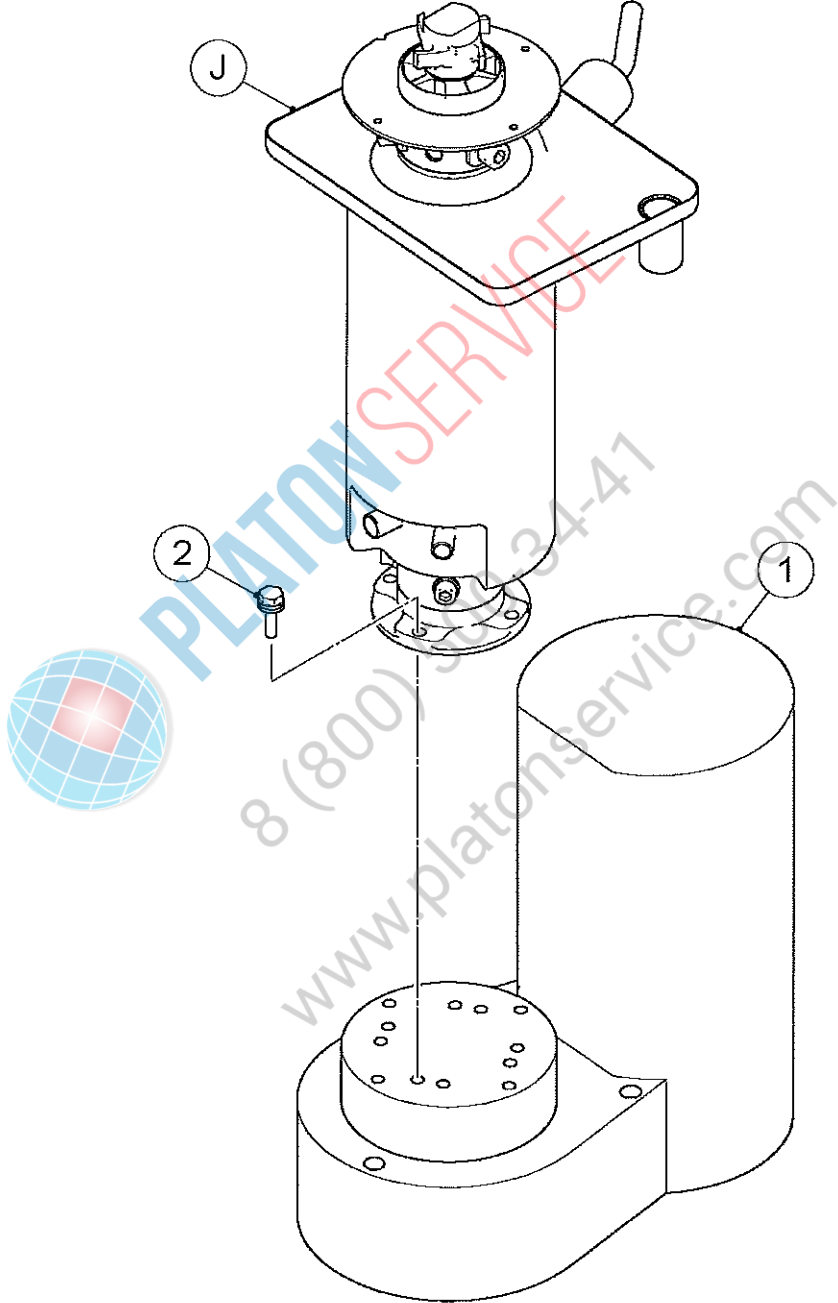


HE

MODEL: FM-170AFE		TITLE: A. ICE FLAKER ASSY					
INDEX NO.	DESCRIPTION	MATERIAL OR MODEL NUMBER	PART NUMBER	REQ'D NUMBER			
				G-1			
B	ICE MAKING UNIT		369739A01	1			
C	REFRIGERATION CIRCUIT		118281A01	1			
D	WATER CIRCUIT		118282A01	1			
E	CHUTE UNIT	S-20288	253526A01	1			
F	CONTROL BOX ASSY		369740A01	1			
G	WINDOW PANEL ASSY		348243A03	1			
H	LABEL LOCATION		253042A01	1			
Q	ACCESSORIES		ACCE2GA-0	1			
1	CHASSIS		112552G02	1			
2	REAR PANEL		253040M01	1			
3	T2 SCREW	4x8	FT20408F0	2			
4	SCREW	SUS 5x12	454353-01	2			
5	SIDE FRAME (R)		116720-01	1			
6	PAN HEAD SCREW W/WASHER (SW)	SUS 4x8	FSK0408S0	26			
7	SIDE FRAME (L)		115584-01	1			
8	FRONT FRAME		365628-01	1			
9	BRACKET-RESERVOIR		253041M01	1			
10	BRACKET-GEAR MOTOR		369738G01	1			
11	HEX, HEAD BOLT	SUS 8x12	FBH0812S0	3			
12	DRAIN PAN		323765G02	1			
13	FLAT WASHER	SUS 8	FWPL08S0	3			
14	SPLIT LOCK WASHER	SUS 8	FWSP08S0	3			
15	HEX, SOCKET HEAD CAP SCREW	8x110 (COARSE SCREW THREAD)	461285-01	3			
16	VINYL CAP		451272-01	3			
17	RING		432661-03	1			
18	"O"RING	G45	7616-G045	1			
19	CROSS RECESSED HEX.BOLT SW	SUS 4x12	FBK0412S0	3			

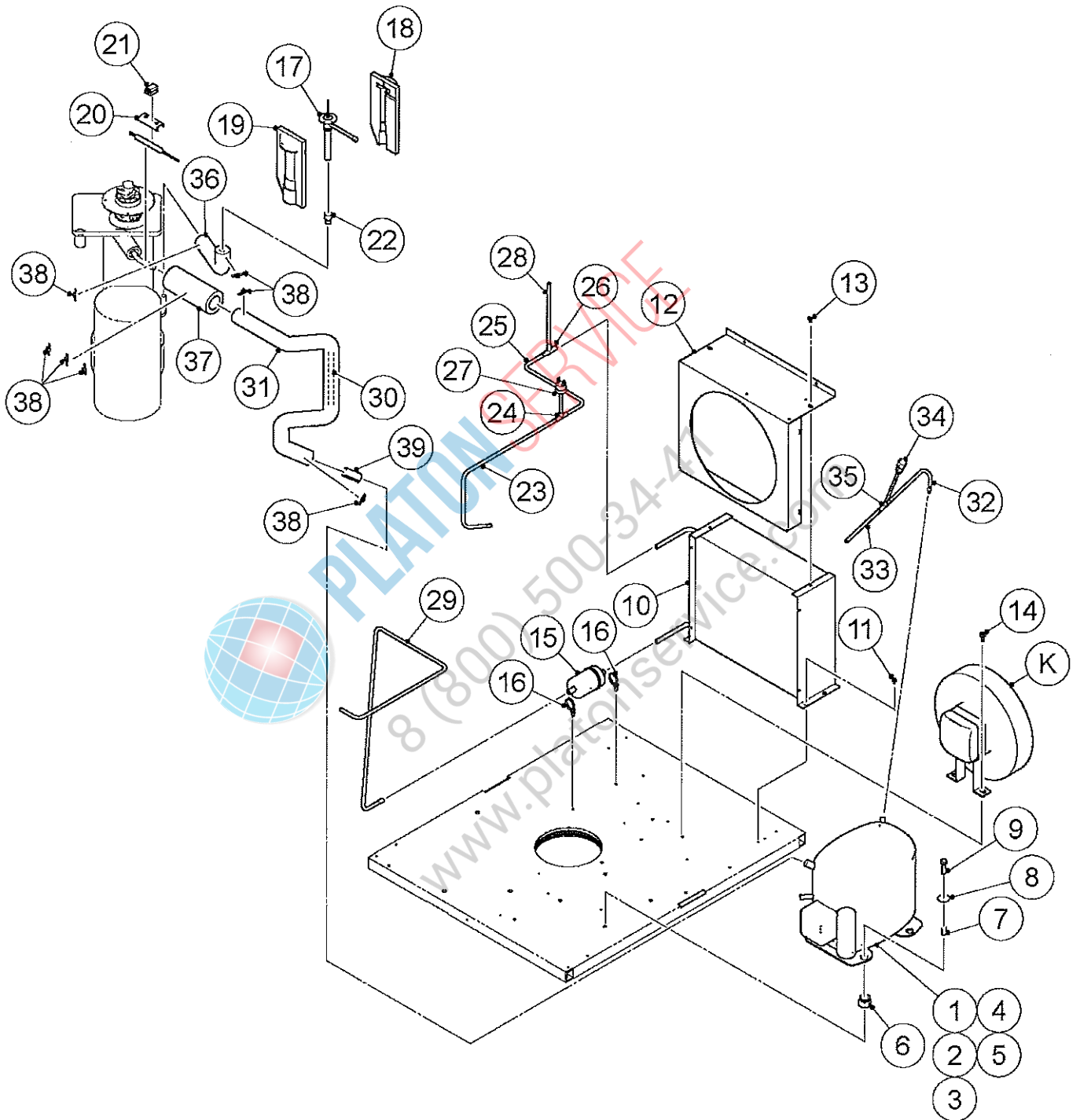
HE

MODEL: FM-170AFE					TITLE: A. ICE FLAKER ASSY			
INDEX NO.	DESCRIPTION	MATERIAL OR MODEL NUMBER	PART NUMBER	REQ'D NUMBER				
				G-1				
20	CONNECTORS	R-301SN	P00245-01	1				
21	CLAMP	No.249	427902-03	8				
22	TRANSFORMER		469404-01	1				
23	SIDE PANEL (R)		234109G01	1				
24	SIDE PANEL (L)		234110G01	1				
25	TOP PANEL		234189-01	x 1				
			241736-01	o 1				
26	FRONT PANEL ASSY		246452G01	1				
27	POWER CORD	CONT	P00240-01	1				
		UK	P00241-01	1				
		AUS/NZ	P00242-01	1				



HE

MODEL: FM-170AFE		TITLE: B. ICE MAKING UNIT					
INDEX NO.	DESCRIPTION	MATERIAL OR MODEL NUMBER	PART NUMBER	REQ'D NUMBER			
				G-1			
J	EVAPORATOR ASSY	S-20190	253046A01	1			
1	GEAR MOTOR	MGZ-6J	469681-02	1			
2	HEX,HEAD BOLT W/WASHER (SW)	SUS 6x20	458660-01	4			



HE

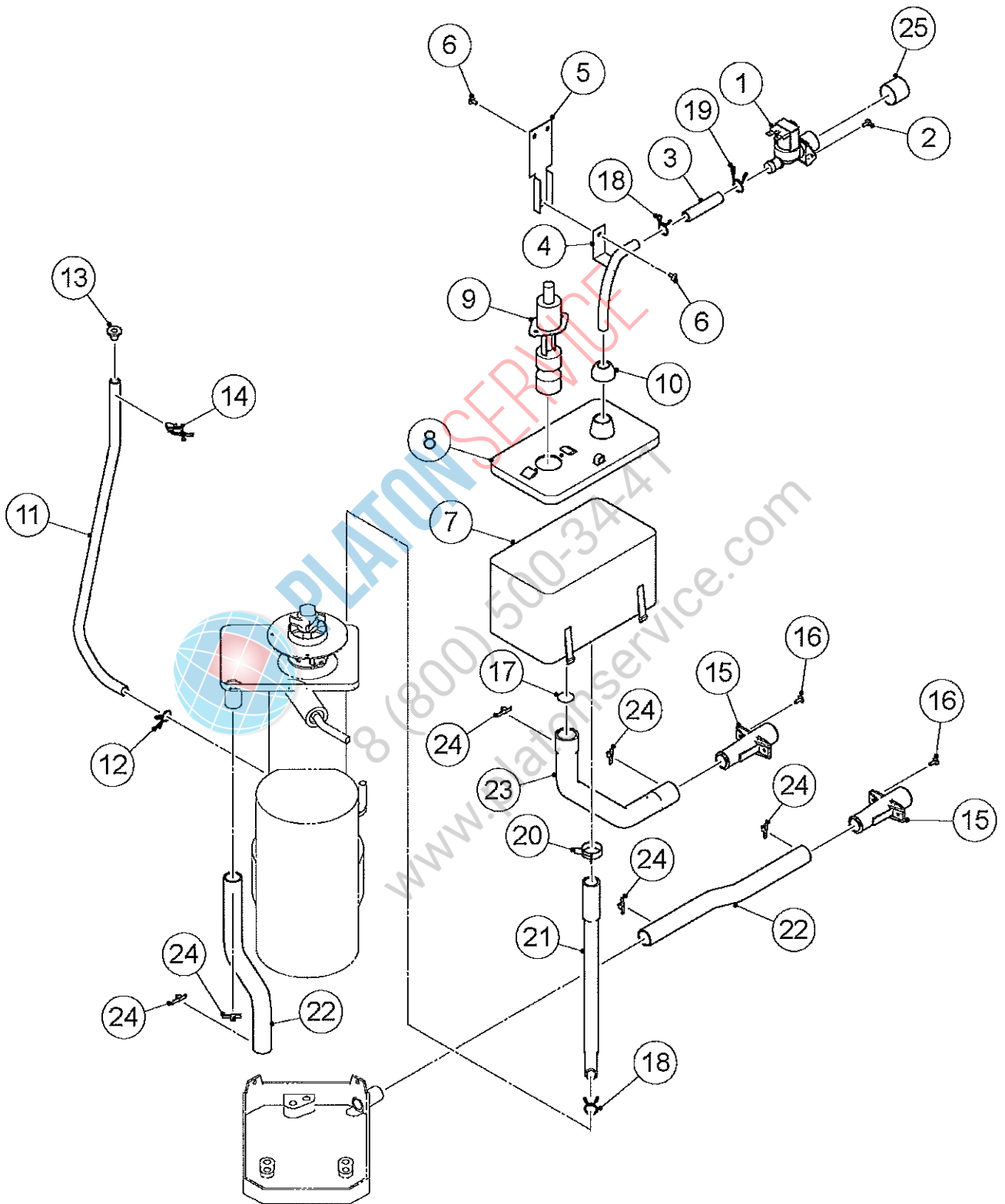
MODEL: FM-170AFE		TITLE: C. REFRIGERATION CIRCUIT					
INDEX NO.	DESCRIPTION	MATERIAL OR MODEL NUMBER	PART NUMBER	REQ'D NUMBER			
				G-1			
K	FAN MOTOR ASSY		354247A02	1			
1	COMPRESSOR	SC18GX	452236-01	1			
2	STARTING CAPACITOR	117U5019 CM ACCESSORIES	456350-01	1			
3	START RELAY	117U6019 CM ACCESSORIES	452237-01	1			
4	CORD RELIEF	103N1004 CM ACCESSORIES	452239-01	1			
5	COVER	103N2009 CM ACCESSORIES	459924-01	1			
6	RUBBER GROMMET	118-3655 CM ACCESSORIES	4A1452-01	4			
7	SLEEVE	112-2052 CM ACCESSORIES	4A1451-01	4			
8	WASHER	112-2053 CM ACCESSORIES	4A1450-01	4			
9	BOLT	681×1130 CM ACCESSORIES	4A1459-01	4			
10	CONDENSER-AIR COOLED		2H3237-01	1			
11	PAN HEAD SCREW W/WASHER (SW)	SUS 4x8	FSK0408S0	3			
12	SHROUD		369742M01	1			
13	T2 SCREW	4x8	FT20408F0	6			
14	HEX,HEAD BOLT	SUS 6x12	FBH0612S0	2			
15	DRIER	DML032.5s	462965-01	1			
16	PUSH MOUNT TIE	T30RSF	436156-01	2			
17	EXPANSION VALVE		446808-01	1			
18	COVER(C)-EXPANSION VALVE		324313-03	1			
19	COVER(D)-EXPANSION VALVE		324313-04	1			

HE

MODEL: FM-170AFE		TITLE: C. REFRIGERATION CIRCUIT					
INDEX NO.	DESCRIPTION	MATERIAL OR MODEL NUMBER	PART NUMBER	REQ'D NUMBER			
				G-1			
20	HOLDER - EXP.V		451267-01	1			
21	CLAMP		443461-02	1			
22	REDUCER	12.7x9.53	421904-01	1			
23	COPPER TUBE(A)-HIGH SIDE	COPPER TUBE-HIGH SIDE 369743G01	471436M01	1			
24	TEE	COPPER TUBE-HIGH SIDE 369743G01 6.35DIA*6.35DIA*6.35DIA	417394-01	1			
25	COPPER TUBE(B)-HIGH SIDE	COPPER TUBE-HIGH SIDE 369743G01	471437M01	1			
26	TEE	COPPER TUBE-HIGH SIDE 369743G01 6.35DIA*6.35DIA*8DIA	420041-03	1			
27	PRESSURE SWITCH	COPPER TUBE-HIGH SIDE 369743G01 SEP-P180HHD-1	459863-02	1			
28	CHARGE TUBE (B)	COPPER TUBE-HIGH SIDE 369743G01	428058-02	1			
29	COPPER TUBE(C)-HIGH SIDE		370087M01	1			
30	COPPER TUBE-LOW SIDE	COPPER TUBE-LOW SIDE 370088G01	370088M01	1			
31	INSULATION TUBE	COPPER TUBE-LOW SIDE 370088G01	H71030650	1			
32	COPPER TUBE(B1)-LOW SIDE	COPPER TUBE(B)-LOW SIDE 463016G01	463016-01	1			
33	CHARGE TUBE (B)	COPPER TUBE(B)-LOW SIDE 463016G01	428058-08	1			
34	ACCESS VALVE	COPPER TUBE(B)-LOW SIDE 463016G01	455119-01	1			

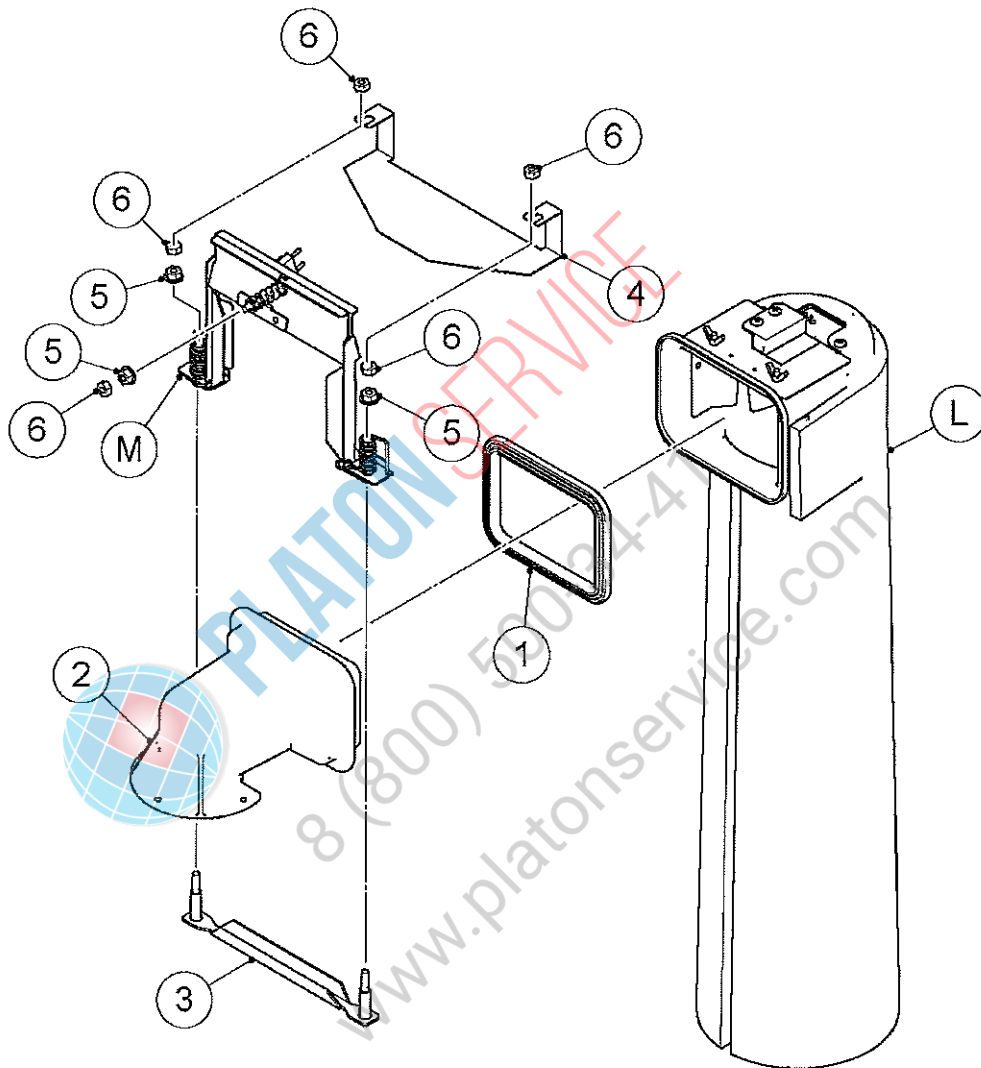
HE

MODEL: FM-170AFE		TITLE: C. REFRIGERATION CIRCUIT					
INDEX NO.	DESCRIPTION	MATERIAL OR MODEL NUMBER	PART NUMBER	REQ'D NUMBER			
				G-1			
35	TEE	COPPER TUBE(B)-LOW SIDE 463016G01 6.35DIA*6.35DIA*4.91DIA	420041-08	1			
36	INSULATION TUBE		H71030B12	1			
37	INSULATION TUBE		H72949B12	1			
38	CABLE TIE	CV-150	7920-0003	8			
39	NEOBELT PC		446470-01	1			



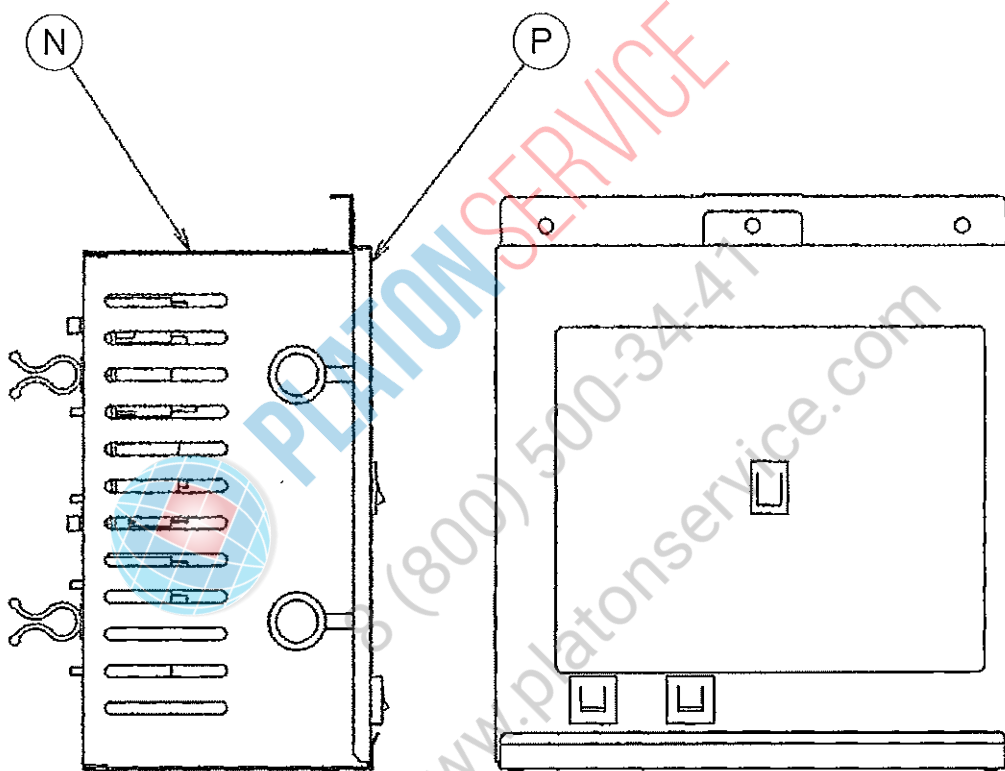
HE

MODEL: FM-170AFE					TITLE: D. WATER CIRCUIT			
INDEX NO.	DESCRIPTION	MATERIAL OR MODEL NUMBER	PART NUMBER	REQ'D NUMBER				
				G-1				
1	WATER VALVE	V-18	452993-01	1				
2	CROSS RECESSED HEX.HEAD SCREW	SUS 4x8	FBH0408S0	2				
3	SILICONE HOSE	L=60	H11014060	1				
4	PIPE-WATER SUPPLY		361681G01	1				
5	BRACKET-PIPE		471438M01	1				
6	T2 SCREW	4x8	FT20408F0	3				
7	RESERVOIR		232626-01	1				
8	RESERVOIR COVER		232627-01	1				
9	FLOAT SWITCH	OLV-29Z-2P	458279-01	1				
10	COVER-RESERVOIR INLET		415094-01	1				
11	SOFT PVC HOSE	HE0913500 L=500	7716-0913	1				
12	HOSE CLAMP	SK-13	435934-01	1				
13	CAP		431689-01	1				
14	CLAMP	NO.249	427902-03	1				
15	DRAIN PIPE		321035-01	2				
16	T2 SCREW	SUS 4x10	FT20410M0	4				
17	FILTER		464377G01	1				
18	CLAMP	SK-14	435934-02	2				
19	CLAMP	SK-15	435934-03	1				
20	CLIP BAND	T21	423866-08	1				
21	HOSE(A)		350619-01	1				
22	VINYL HOSE	HC1923370	7725-1923	2				
23	HOSE(B)		350409-01	1				
24	CABLE TIE	CV-150	7920-0003	6				
25	CAP		417323-01	1				



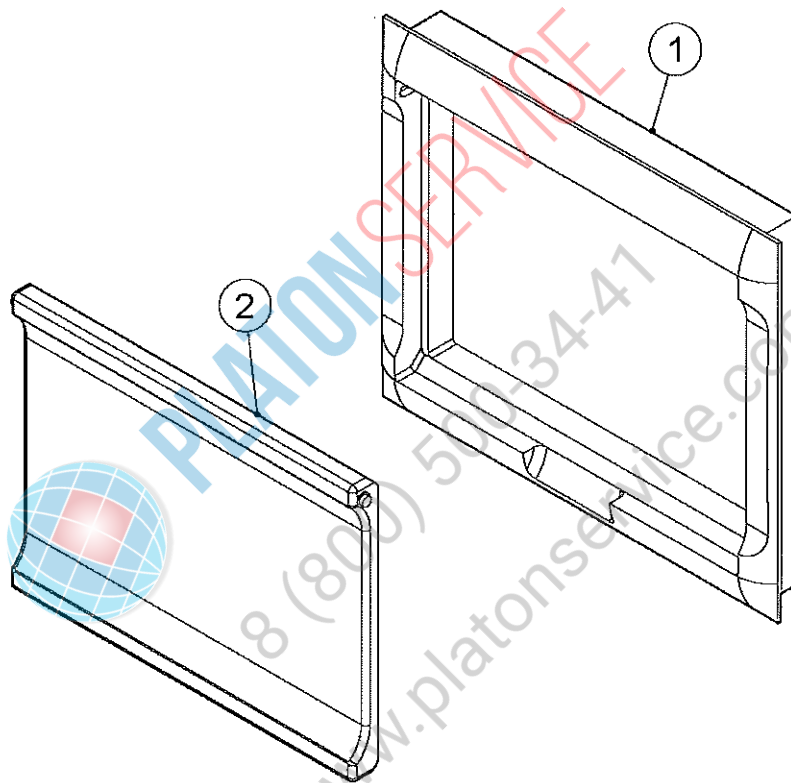
HE

MODEL: FM-170AFE		TITLE: E. CHUTE UNIT					
INDEX NO.	DESCRIPTION	MATERIAL OR MODEL NUMBER	PART NUMBER	REQ'D NUMBER			
				G-1			
L	CHUTE ASSY		113006A03	1			
M	BAND (A) ASSY	S-9165	348911A01	1			
1	PACKING		454256-01	1			
2	SPOUT		2A0915-01	1			
3	BAND (B)		459995G01	1			
4	DRIP GUIDE		369741M01	1			
5	HEX NUT WITH FLANGE	SUS 6	FNHF06S0	3			
6	HEX NUT	SUS 6	FNH106S0	5			



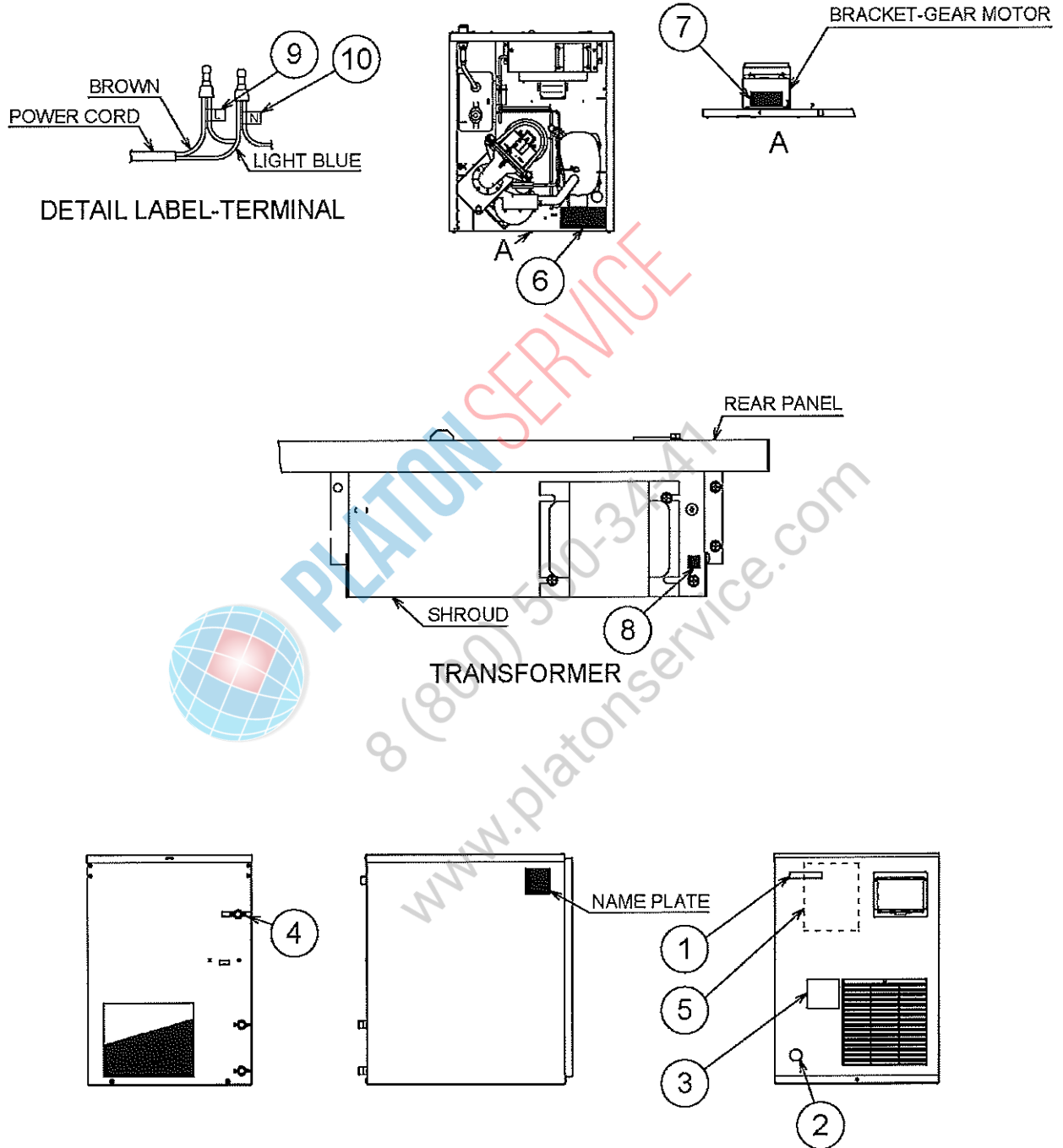
HE

MODEL: FM-170AFE					TITLE: F. CONTROL BOX ASSY			
INDEX NO.	DESCRIPTION	MATERIAL OR MODEL NUMBER	PART NUMBER	REQ'D NUMBER				
				G-1				
N	CONTROL BOX(A) ASSY		369748A01	1				
P	COVER-CONTROL BOX ASSY		369749A01	1				



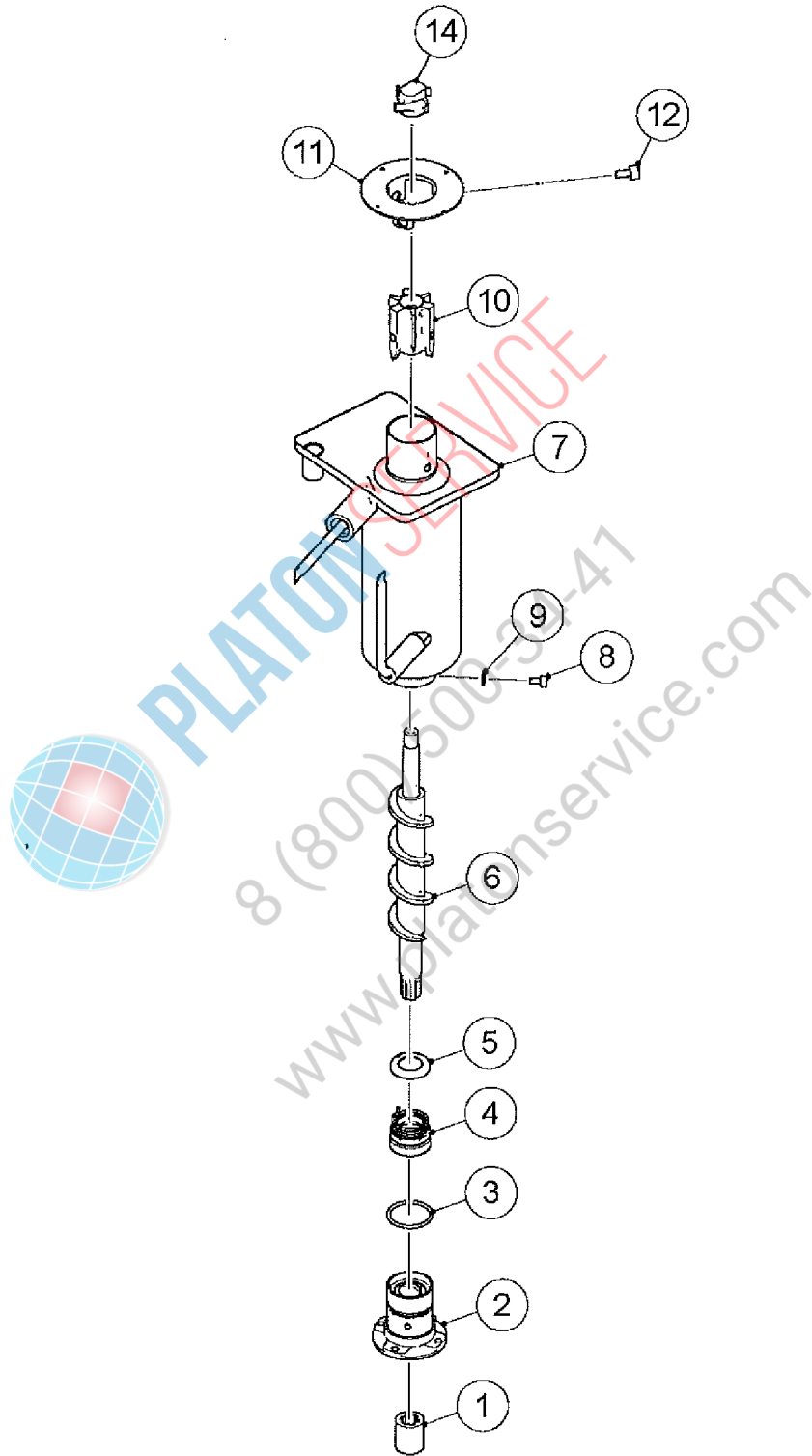
HE

MODEL: FM-170AFE		TITLE: G. WINDOW PANEL ASSY					
INDEX NO.	DESCRIPTION	MATERIAL OR MODEL NUMBER	PART NUMBER	REQ'D NUMBER			
				G-1			
1	WINDOW FRAME		232648-01	1			
2	WINDOW PANEL		232649-03	1			



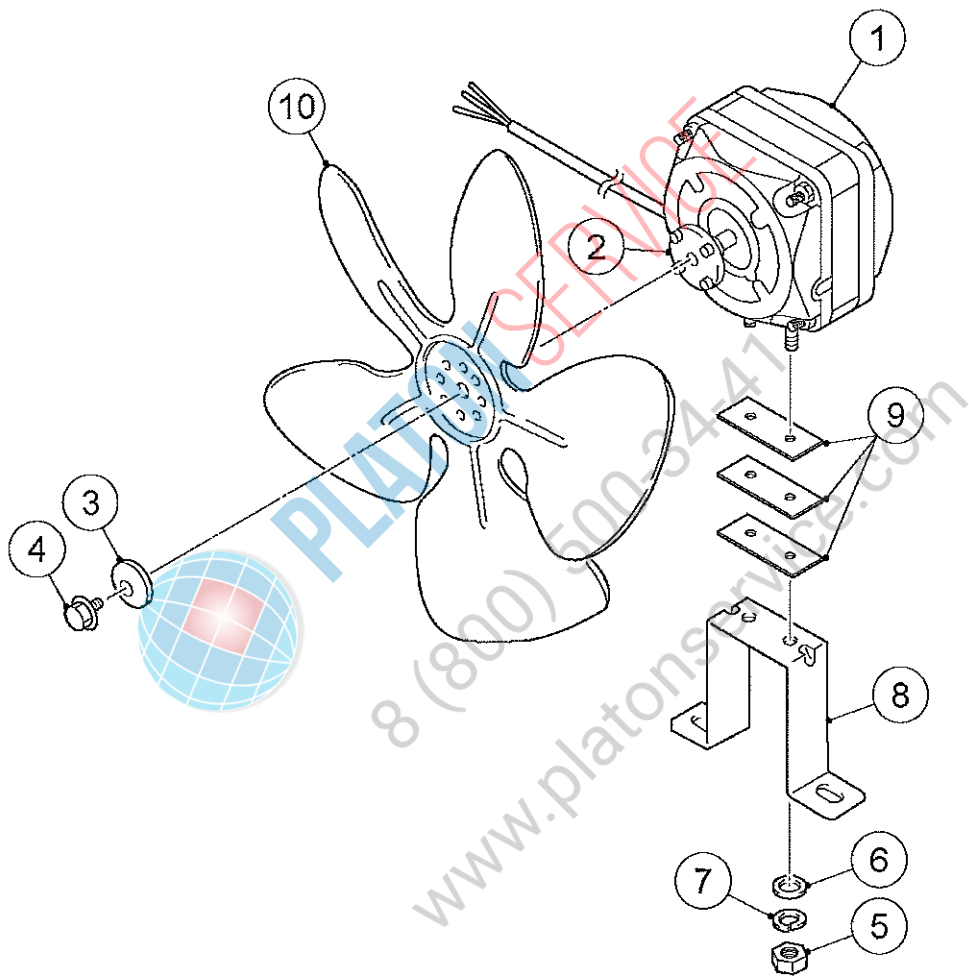
HE

MODEL: FM-170AFE					TITLE: H. LABEL LOCATION			
INDEX NO.	DESCRIPTION	MATERIAL OR MODEL NUMBER	PART NUMBER	REQ'D NUMBER				
				G-1				
1	EMBLEM-HE		459843-01	1				
2	LABEL-PENGUIN		454387-01	1				
3	MAINTENANCE-LABEL		455837-01	1				
4	CAUTION LABEL		452552-01	x 1				
5	WIRING LABEL		369745L01	1				
6	CAUTION LABEL (J)		439149-01	1				
7	CAUTION LABEL (F)		439146-01	1				
8	LABEL-GROUND (B)		450452-02	1				
9	LABEL-TERMINAL	(L)	452379-03	1				
10	LABEL-TERMINAL	(N)	452379-04	1				



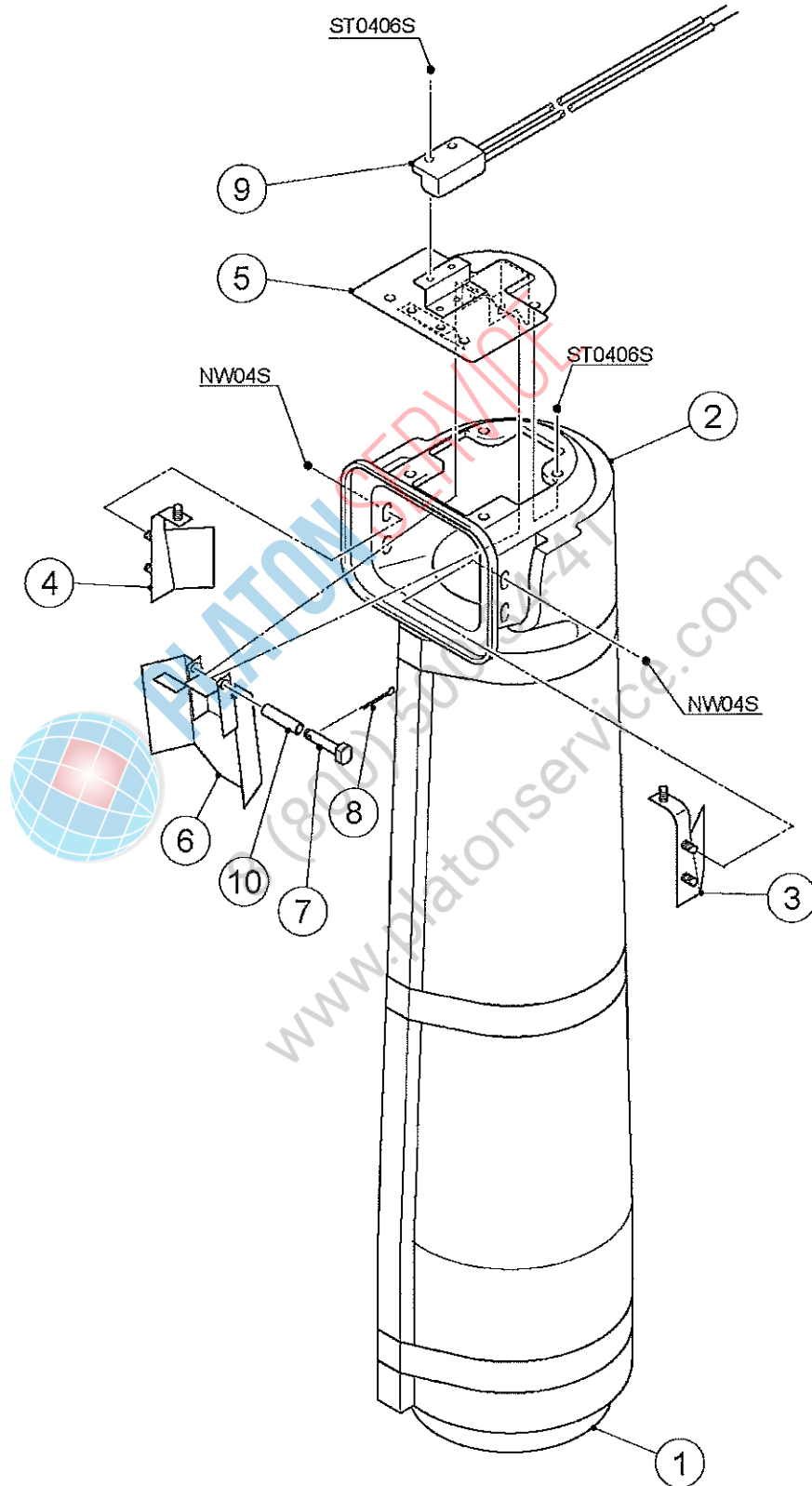
HE

MODEL: FM-170AFE		TITLE: J. EVAPORATOR ASSY					
INDEX NO.	DESCRIPTION	MATERIAL OR MODEL NUMBER	PART NUMBER	REQ'D NUMBER			
				G-1			
1	COUPLING-SPLINE ASSY		418316-01	1			
2	HOUSING		206013G05	1			
3	O RING	G40	7616-G040	1			
4	MECHANICAL SEAL	HK9A-MS 22 DIA	432491-01	1			
5	RING (B)		432494-01	1			
6	AUGER		361014G02	1			
7	EVAPORATOR		241041G02	1			
8	SOCKET HEAD CAP SCREW	SUS 6x10	FBX0610S0	4			
9	SPLIT LOCK WASHER	SUS 6	FWSP06S0	4			
10	EXTRUDING HEAD - 45F		327140G01	1			
11	FLANGE/45		464843-02	1			
12	SEALBOLT-M8		P01768-01	3			
13	-		-	-			
14	4 CUTTER		427137-01	1			



HE

MODEL: FM-170AFE					TITLE: K. FAN MOTOR ASSY			
INDEX NO.	DESCRIPTION	MATERIAL OR MODEL NUMBER	PART NUMBER	REQ'D NUMBER				
				G-1				
1	FAN MOTOR	MQ045-CA03-51 230V	451766-02	1				
2	VIBRATION PAD	FM ACCESSORIES	451766F01	1				
3	WASHER/PAD	FM ACCESSORIES	451766F02	1				
4	BOLT	FM ACCESSORIES	451766F03	1				
5	NUT	SUS M4	FNH104S0	2				
6	WASHER	SUS 4	FWPL04S0	2				
7	SPRING WASHER	SUS 4	FWSP04S0	2				
8	BRACKET/FM	71883-2-4053	451767-01	1				
9	SPACER		4X3927-01	3				
10	FAN	230 DIA	354246-01	1				



HE

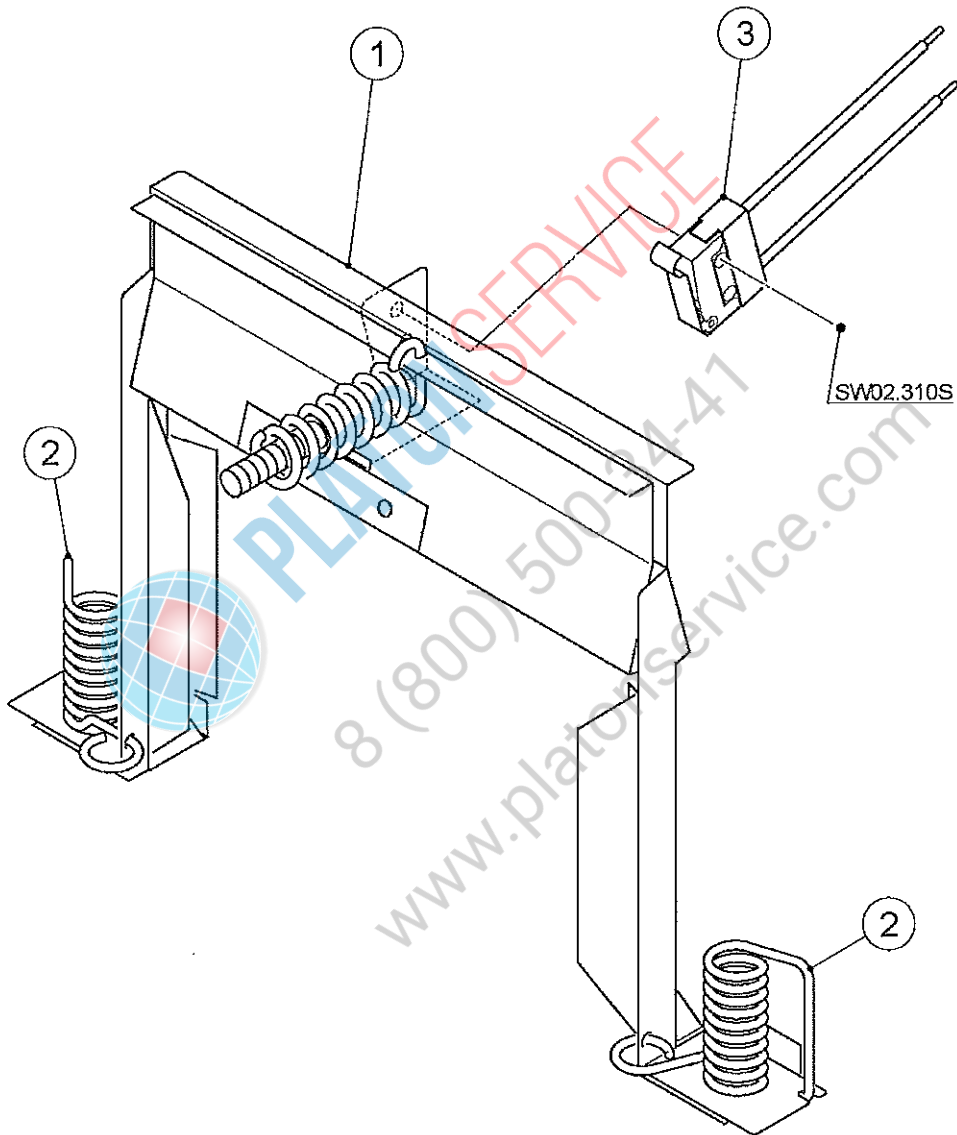
MODEL: FM-170AFE					TITLE: L. CHUTE ASSY			
INDEX NO.	DESCRIPTION	MATERIAL OR MODEL NUMBER	PART NUMBER	REQ'D NUMBER				
				G-1				
1	CHUTE		214823-02	1				
2	INSULATION-CHUTE		235310-03	1				
3	BAFFLE-CHUTE(A)		325122G01	1				
4	BAFFLE-CHUTE(B)		325123G01	1				
5	BIN CONTROL		353918G01	1				
6	ACTUATOR		436848G05	1				
7	SHAFT		458813-01	1				
8	SPLIT PIN	SUS304 1.6x12	711SP1612	1				
9	PROXIMITY SWITCH	E00901	4A2033-01	1				
10	TUBE		461623-01	1				

(S-9165)

FM-170AFE

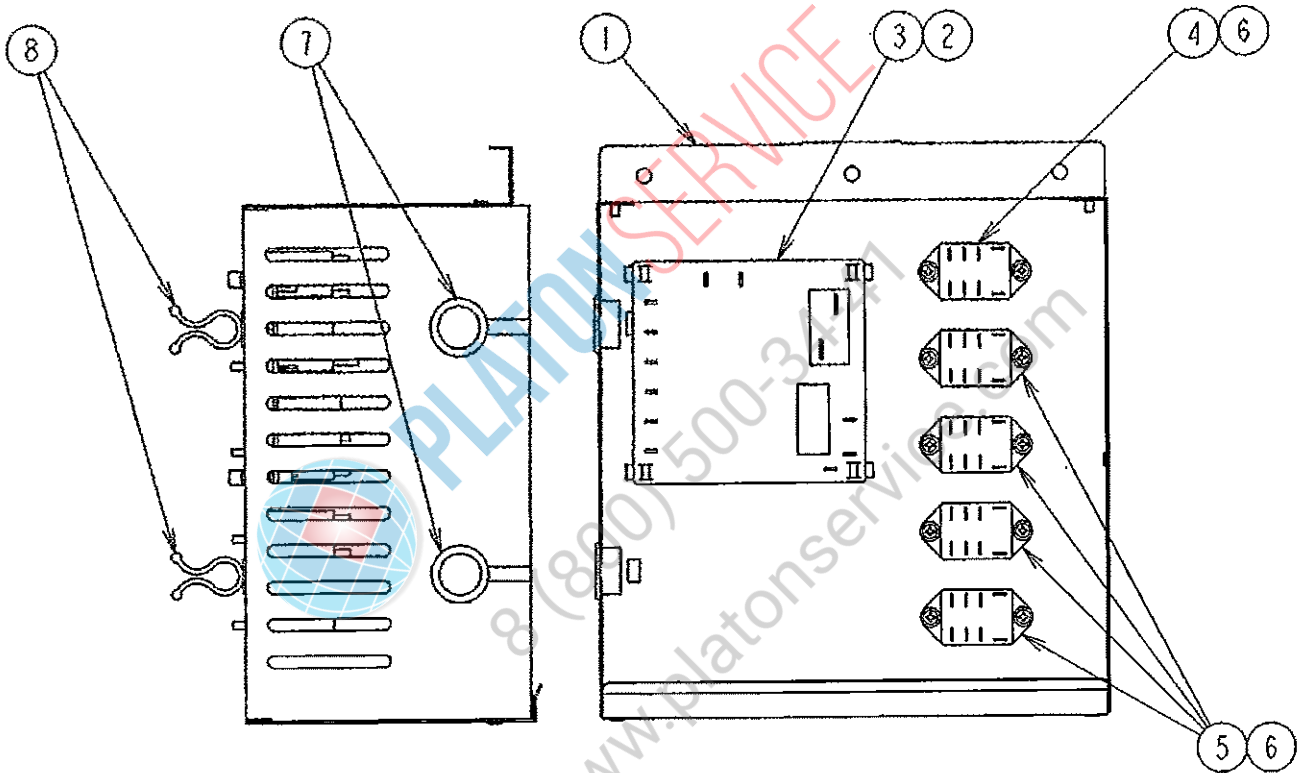
M. BAND(A) ASSY

(G-1)



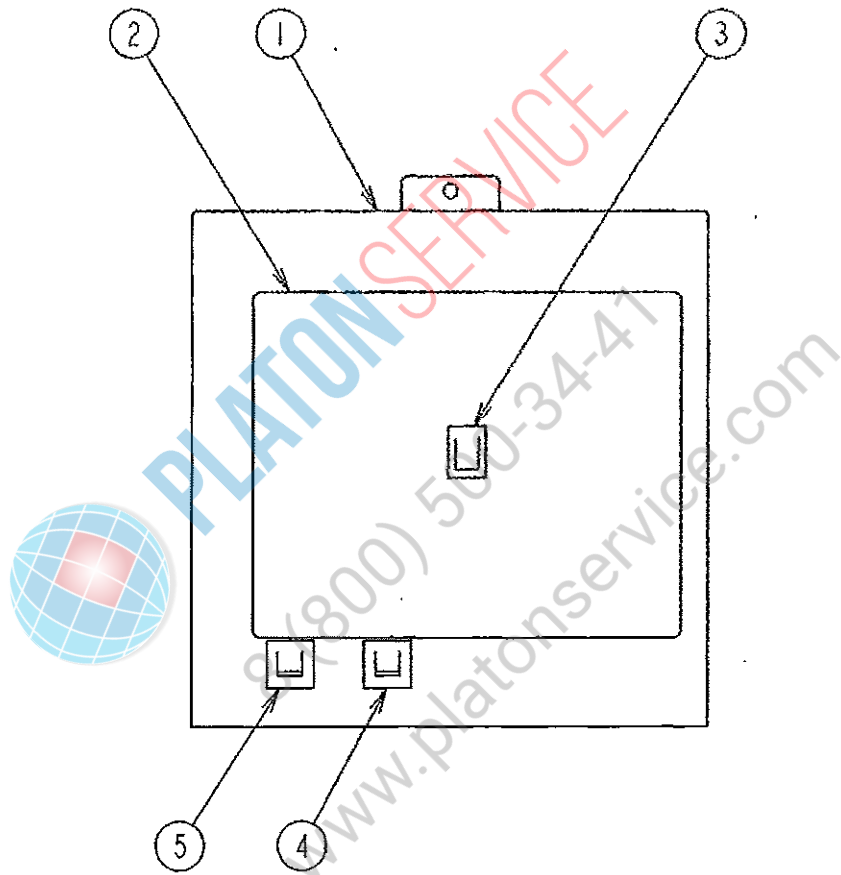
HE

MODEL: FM-170AFE					TITLE: M. BAND(A) ASSY			
INDEX NO.	DESCRIPTION	MATERIAL OR MODEL NUMBER	PART NUMBER	REQ'D NUMBER				
				G-1				
1	BAND A		348305G01	1				
2	SPRING A		459997-01	2				
3	MICROSWITCH		443992-02	1				



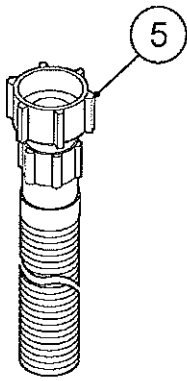
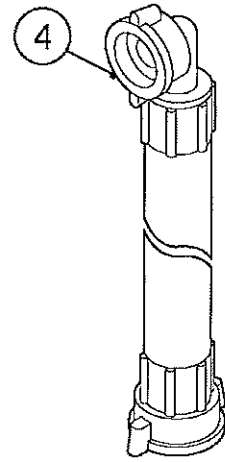
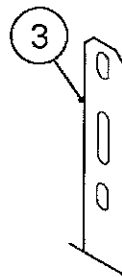
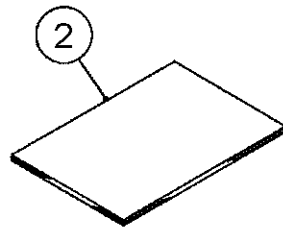
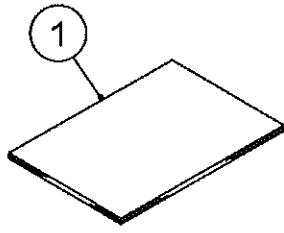
HE

MODEL: FM-170AFE		TITLE: N. CONTROL BOX (A) ASSY					
INDEX NO.	DESCRIPTION	MATERIAL OR MODEL NUMBER	PART NUMBER	REQ'D NUMBER			
				G-1			
1	CONTROL BOX		369744G01	1			
2	TIMER BOARD	H2AA144C12	437305-02	1			
3	BOARD SUPPORT	KGLS-6S	414929-01	4			
4	RELAY	LY2F AC100V	406132-01	1			
5	RELAY	LY2ZF AC24V	406132-06	4			
6	TAPPING SCREW	3x8	431415-01	10			
7	BUSHING	OCB-875	428394-04	2			
8	CLAMP	No 249	427902-03	2			



HE

MODEL: FM-170AFE					TITLE: P. COVER-CONTROL BOX ASSY			
INDEX NO.	DESCRIPTION	MATERIAL OR MODEL NUMBER	PART NUMBER	REQ'D NUMBER				
				G-1				
1	COVER-CONTROL BOX		369747M01	1				
2	CONTROL LABEL		369692L01	1				
3	ROCKER SWITCH	SLE6A2	446719-02	1				
4	PROTECTOR	W28XQ1A-3	440972-02	1				
5	PROTECTOR	W28XQ1A-6	440972-03	1				



PLATON SERVICE

8 (800) 500-34-41

www.platonservice.com

HE

MODEL: FM-170AFE		TITLE: Q. ACCESSORIES					
INDEX NO.	DESCRIPTION	MATERIAL OR MODEL NUMBER	PART NUMBER	REQ'D NUMBER			
				G-1			
1	INSTRUCTION MANUAL		91E2GA20B	1			
2	INSTALLATION MANUAL		92E2GA20A	1			
3	UNIVERSAL BRACE		4A0363-01	2			
4	INLET HOSE		450722-01	1			
5	OUTLET HOSE		450723-01	2			